

### Specific&Performance

- Pressure range: From 0-5kPa to 0-260MPa
- ATEX Exd IICT6 option
- Sensor fully welded
- 5 temperature points compensated

### Application

- Petrochemical
- Aeronautics and Astronautics
- Process control
- Traditional industries



### Specification

<b>Sensor technology</b>	Piezoresistive				
<b>Pressure Range</b>	Minimum 5 kPa, Maximum 260 MPa				
<b>Accuracy (25°C)</b>	0.5% FSO (typical) , 0.25% FSO (option)				
<b>Zero thermo drift</b>	≤0.02% of span per°C				
<b>Span thermo drift</b>	≤0.02% of span per°C				
<b>Long term drift</b>	0.1% of span per year				
<b>Zero point adjustment</b>	10% of range				
<b>IP protection</b>	IP65 or IP67 (Depending on electrical connection)				
<b>Temperature</b>	Compensation temperature	Ambient temperature	Storage temperature		
	-20-85°C	-40-85°C	-40-125°C		
<b>Output signal</b>	4-20mA 2-wire, 0-10V 3-wire, 1-5V 3-wire				
<b>Supply voltage</b>	12-30VDC, typical 24VDC				
<b>Load in Ω</b>	Current output: $RL \leq (U_s - 12V) / 20mA$ ; Voltage output: $RL \geq 20K$				
<b>Electrical protection</b>	Reversed polarity	Short circuit	Resist voltage		
	Protected	Protected	30V		
<b>Vibration resistance</b>	20g, 20Hz...5kHz				
<b>Shock resistance</b>	100g, 11mS				
<b>Insulation resistance</b>	> 100MΩ under 500VDC				
<b>Process connection</b>	Please refer the ording code				
<b>Service life</b>	10 million load cycles				
<b>Response time (10%....90%)</b>	≤5mS				
<b>Material</b>	Housing	Thread material	Diaphragm	O-ring <sup>①</sup>	Cable
	316 SS	304 SS or 316L SS	316L SS	FKM	PUR

Note ①: Only available for process connection "5"

### Pressure Range

#### Rel pressure (unit bar)

<b>Pressure range</b>	0-0.05	0-0.1	0-0.16	0-0.25	0-0.4	0-0.6
<b>Over pressure</b>	0.1	0.5	0.5	0.5	2	2
<b>Burst pressure</b>	0.2	1	1	1	4	4
<b>Ordering code</b>	11	12	13	14	15	16

<b>Pressure range</b>		0-1	0-1.6	0-2.5	0-4	0-6
<b>Over pressure</b>		2	4	10	10	10
<b>Burst pressure</b>		3	6	15	15	15
<b>Ordering code</b>		17	18	19	20	21

<b>Pressure range</b>		0-10	0-16	0-25	0-40	0-60
<b>Over pressure</b>		20	32	50	80	100
<b>Burst pressure</b>		30	48	75	120	120
<b>Ordering code</b>		22	23	24	25	26

<b>Pressure range</b>		0-100	0-160	0-250	0-400	0-600
<b>Over pressure</b>		200	320	500	600	900
<b>Burst pressure</b>		300	480	750	800	1200
<b>Ordering code</b>		27	28	29	30	31

<b>Pressure range</b>		0-1000	0-1600	0-2000	0-2600	
<b>Over pressure</b>		1500	2500	3000	4000	
<b>Burst pressure</b>		2000	3200	4000	5000	
<b>Ordering code</b>		32	33	34	35	

#### Abs pressure (unit bar)

<b>Pressure range</b>		0-0.1	0-0.16	0-0.25	0-0.4	0-0.6
<b>Over pressure</b>		0.5	0.5	0.5	2	2
<b>Burst pressure</b>		1	1	1	4	4
<b>Ordering code</b>		12	13	14	15	16

<b>Pressure range</b>		0-1	0-1.6	0-2.5	0-4	0-6
<b>Over pressure</b>		2	4	10	10	10
<b>Burst pressure</b>		3	6	15	15	15
<b>Ordering code</b>		17	18	19	20	21

<b>Pressure range</b>		0-10	0-16	0-25	0-40	0-60
<b>Over pressure</b>		20	32	50	80	100
<b>Burst pressure</b>		30	48	75	120	120
<b>Ordering code</b>		22	23	24	25	26

### Pressure Range

#### Vacuum pressure (unit bar)

<b>Pressure Range</b>		-0.1-0	-0.16-0	-0.25-0	-0.4-0	-0.6-0
<b>Over pressure</b>		0.5	0.5	0.5	2	2
<b>Burst pressure</b>		1	1	1	4	4
<b>Ordering code</b>		51	52	53	54	55

<b>Pressure Range</b>		-1-0	-1-0.6	-1-1.5	-1-3	-1-5
<b>Over pressure</b>		2	4	10	10	10
<b>Burst pressure</b>		3	6	15	15	15
<b>Ordering code</b>		56	57	58	59	60

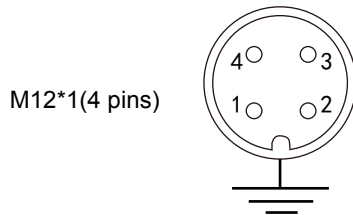
<b>Pressure Range</b>		-1-9	-1-15	-1-24	-1-39	
<b>Over pressure</b>		20	32	50	80	
<b>Burst pressure</b>		30	48	75	120	
<b>Ordering code</b>		61	62	63	64	

## Electrical connection

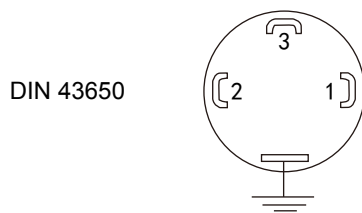
“-”mans non

	Connection thread	Cable dia (mm)	IP protection	Code
DIN 43650	-	6-8	IP65	D1
M12*1(4 pins)	M12*1	-	IP67	D2
1m cable	-	7.5	IP65	T3
Filed housing	M20*1.5	6-8	IP67	T4 or T5

## Connection pins



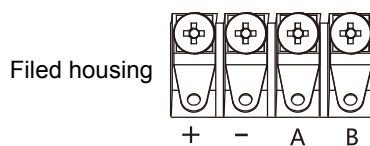
Pin	2-wire	3-wire
1	Power “+”	Power “+”
2		Power “+”
3		
4	Power “-”	Power “-”



Pin	2-wire	3-wire
1	Power “+”	Power “+”
2	Power “-”	Power “-”
3		Signal “+”

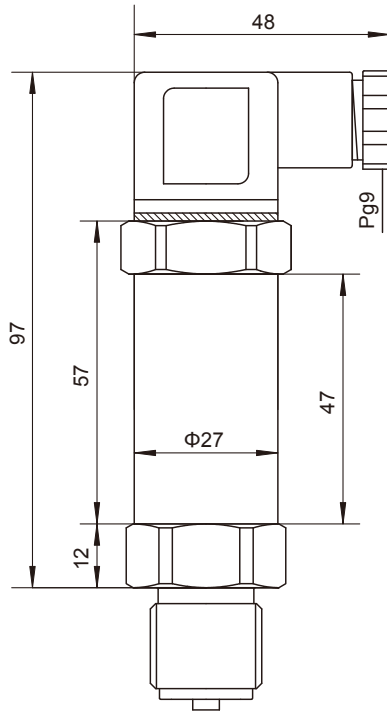


Pin	2-wire	3-wire
Red	Power “+”	Power “+”
Black	Power “-”	Power “-”
Blue		Signal “+”

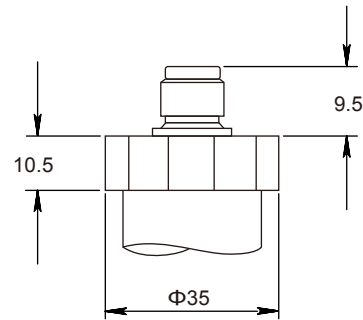


Pin	2-wire	3-wire
+	Power “+”	Power “+”
-	Power “-”	Power “-”
A		Signal “+”
B		

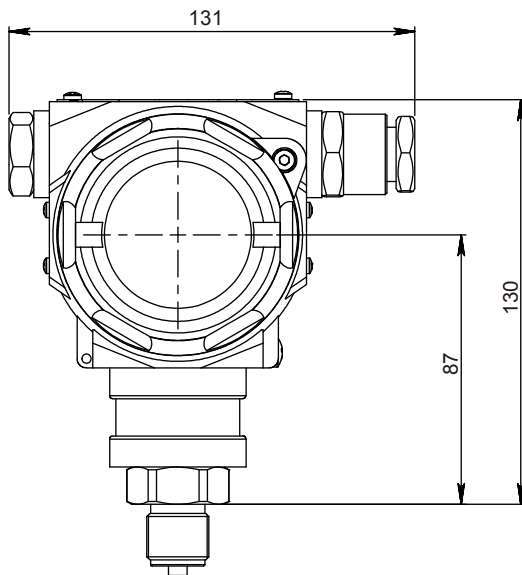
## Dimensions (mm)



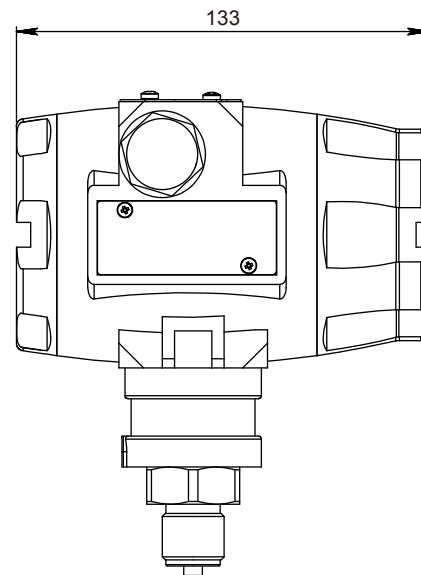
DIN 43650



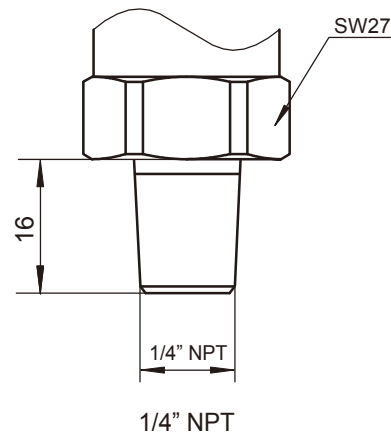
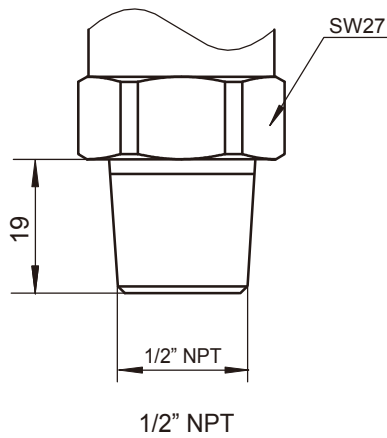
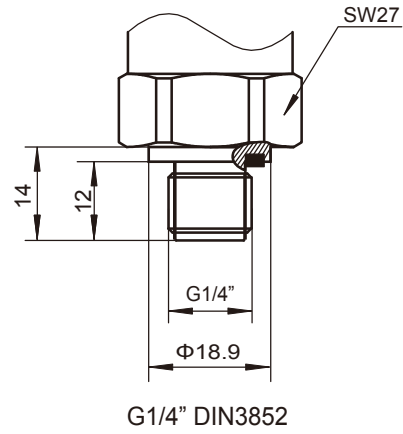
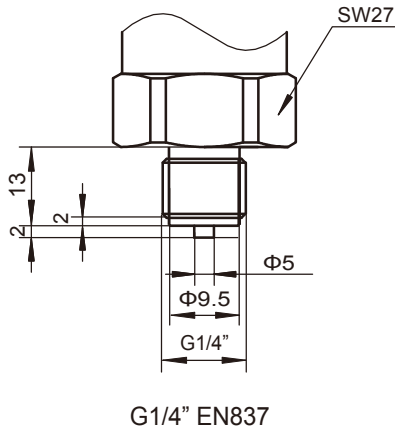
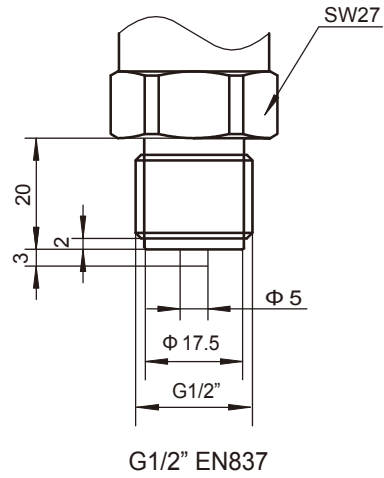
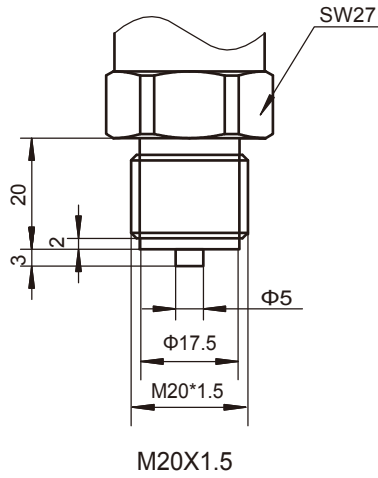
M12\*1 (4 pins)



Filed housing



## Thread dimension (mm)



### LY8 Ordering code

	Code	Specification
1.	LY8	<b>Series</b>
2.	G	<b>Pressure type</b> Rel
	A	Abs
3.	XXXX	<b>Pressure range</b> Please refer pressure range on Page 2
4.	1	<b>Output signal</b> 4-20mA 2-wire
	5	1-5V 3-wire
	7	0-10V 3-wire
5.	5	<b>Accuracy</b> 0.5% FSO
	2	0.25% FSO
6.	D1	<b>Electrical connection</b> DIN 43650
	D2	M12*1 (4 pins)
	T3	1m cable
	T4	Filed housing, without LCD display
	T5	Filed housing, with LCD display
7.	S	<b>ATEX</b> Standard
	X	Exd IICT6 (only available for 4-20mA)
8.	4	<b>Thread material</b> 304 SS
	6	316L SS
9.	1	<b>Process connection</b> G1/2" EN837
	2	G1/4" EN837
	3	1/2"NPT
	4	1/4"NPT
	5	G1/4" DIN3852 (pressure ≤600bar)
	6	M20*1.5

## Accessories ordering code

1.

### M12\*1 4 pins cable

	1m cable	2m cable	5m cable
Straight	1101	1102	1105
90° angel	2201	2202	2205

2.

### Gasket

	Brass	SS	FKM
G1/2" EN837	5501	5502	
G1/4" EN837	5503	5504	
M20*1.5	5505	5506	
G1/4" DIN3852			4403